

# Wireless 9-1-1 Overview

Roger Hixson

Vice Chair, NENA Wireless Committee

Director - Planning, Development, New Carrier Implementation

Ameritech



# Wireless 9-1-1 Terminology

- **ESRD**
  - Emergency Services Routing Digits (pANI)
  - Identifies originating cell site/sector
- **ESRK**
  - Emergency Services Routing Key (pANI)
  - Identifies a set of cells and sectors associated with a destination ESZ or PSAP
- **CPN**
  - Calling Party's Number
  - Callback number
  - May be MIN/MDN/Both or Neither

# Wireless 9-1-1 Terminology

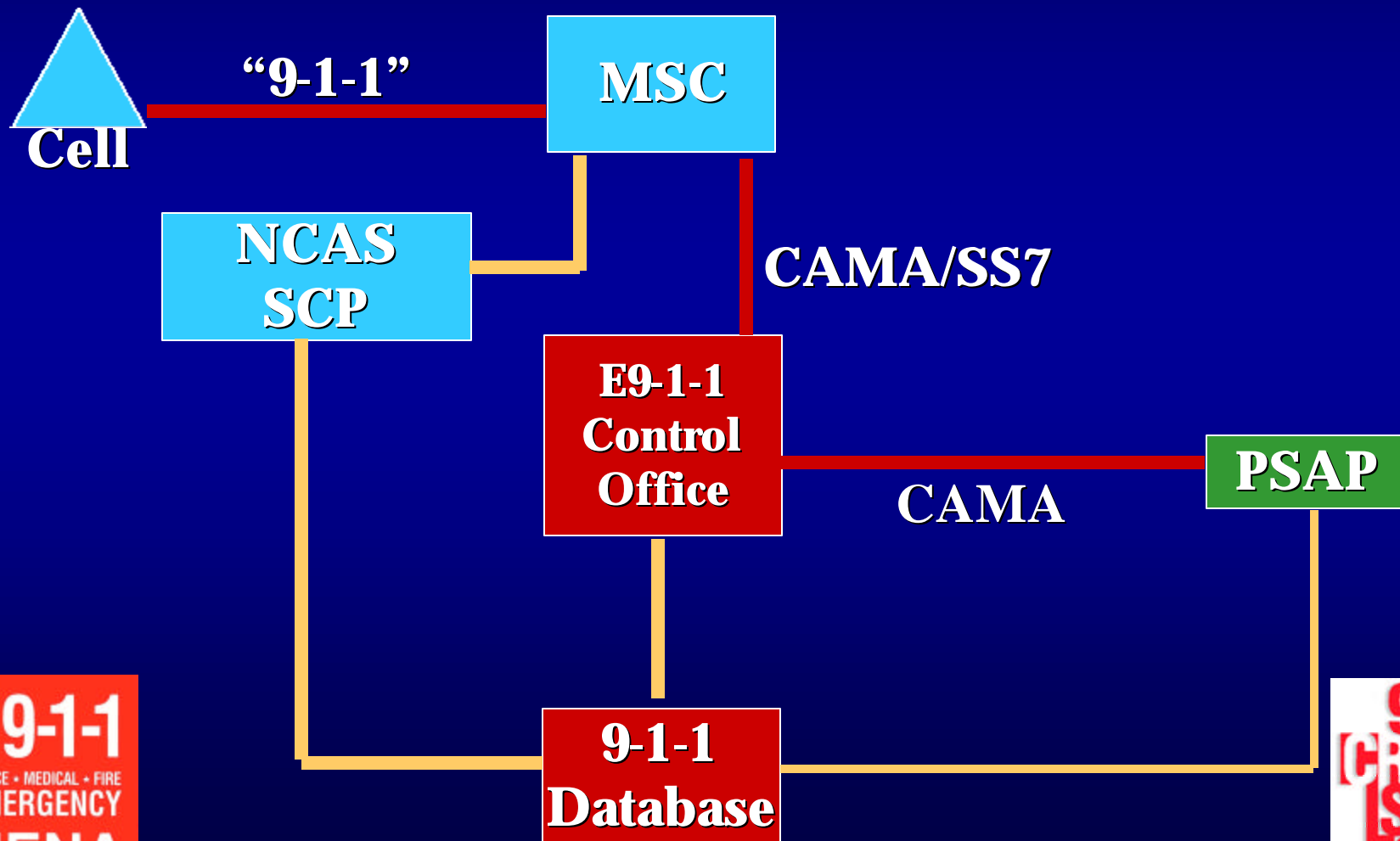
- **MSC**
  - Mobile Switching Center
  - Wireless equivalent of Central Office
- **SCP (NCAS)**
  - Service Control Point
  - Computer that directs call routing
- **ALI Steering**
  - Query of remote databases by local 9-1-1 database.

# Wireless 9-1-1 Terminology

- **CAS**
  - Call path Associated Signaling
  - Callback number delivered with the voice call
  - Requires upgrade to E9-1-1 Control Office and PSAP CPE
- **NCAS**
  - Non Call path Associated Signaling
  - Callback number delivered via ALI
  - Upgrade required to ALI database system
  - Requires remote SCP/database operation



# Phase I: Delivery of ESRK + CPN Non Call path Associated Signaling (NCAS)

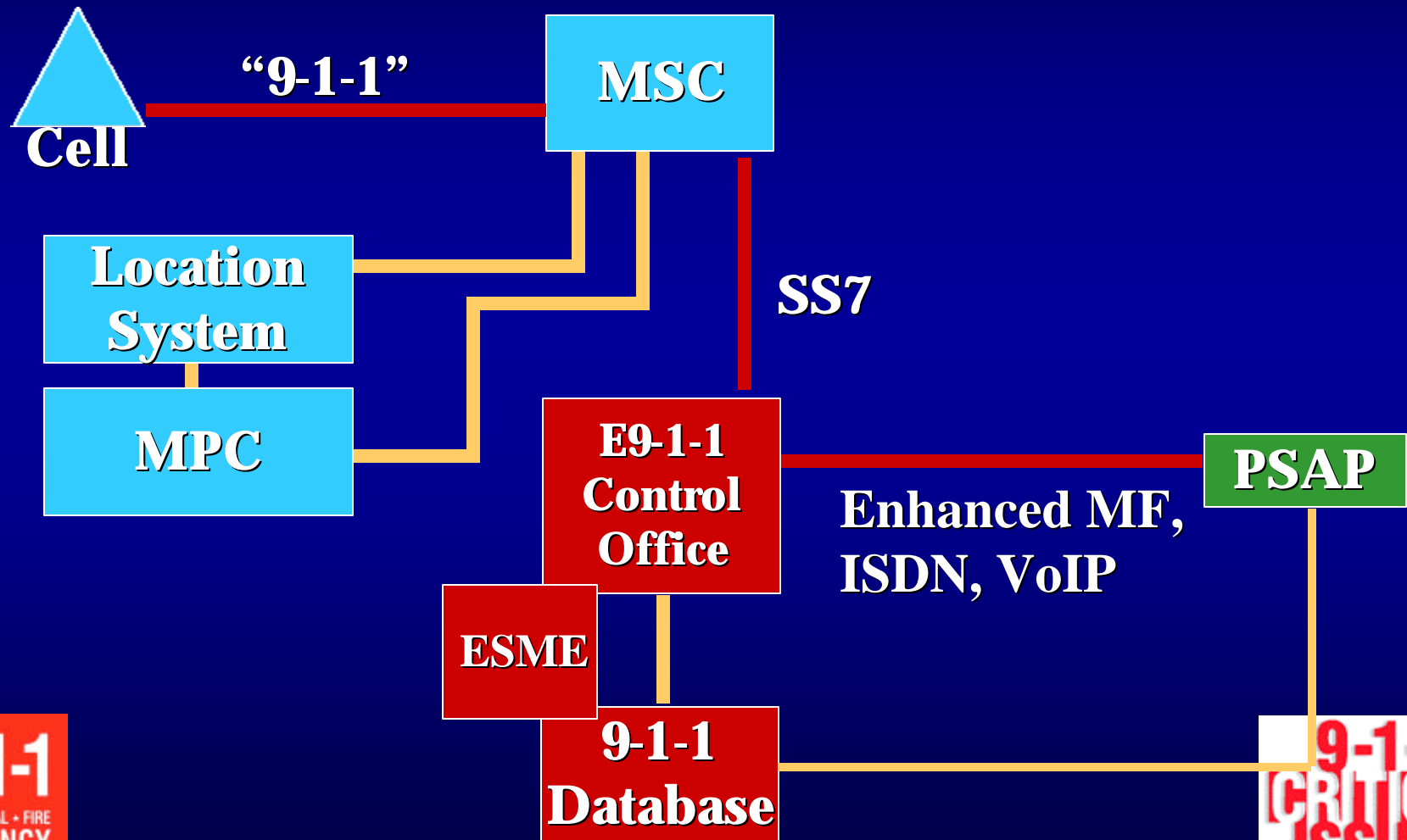


# Phase II Terminology

- **MPC**
  - Mobile Positioning Center
  - Function located in the Wireless network
  - Transmits location coordinates to 9-1-1 network
- **ESME**
  - Function located in 9-1-1 network
  - Receives location coordinates from MPC

# Phase II: CAS

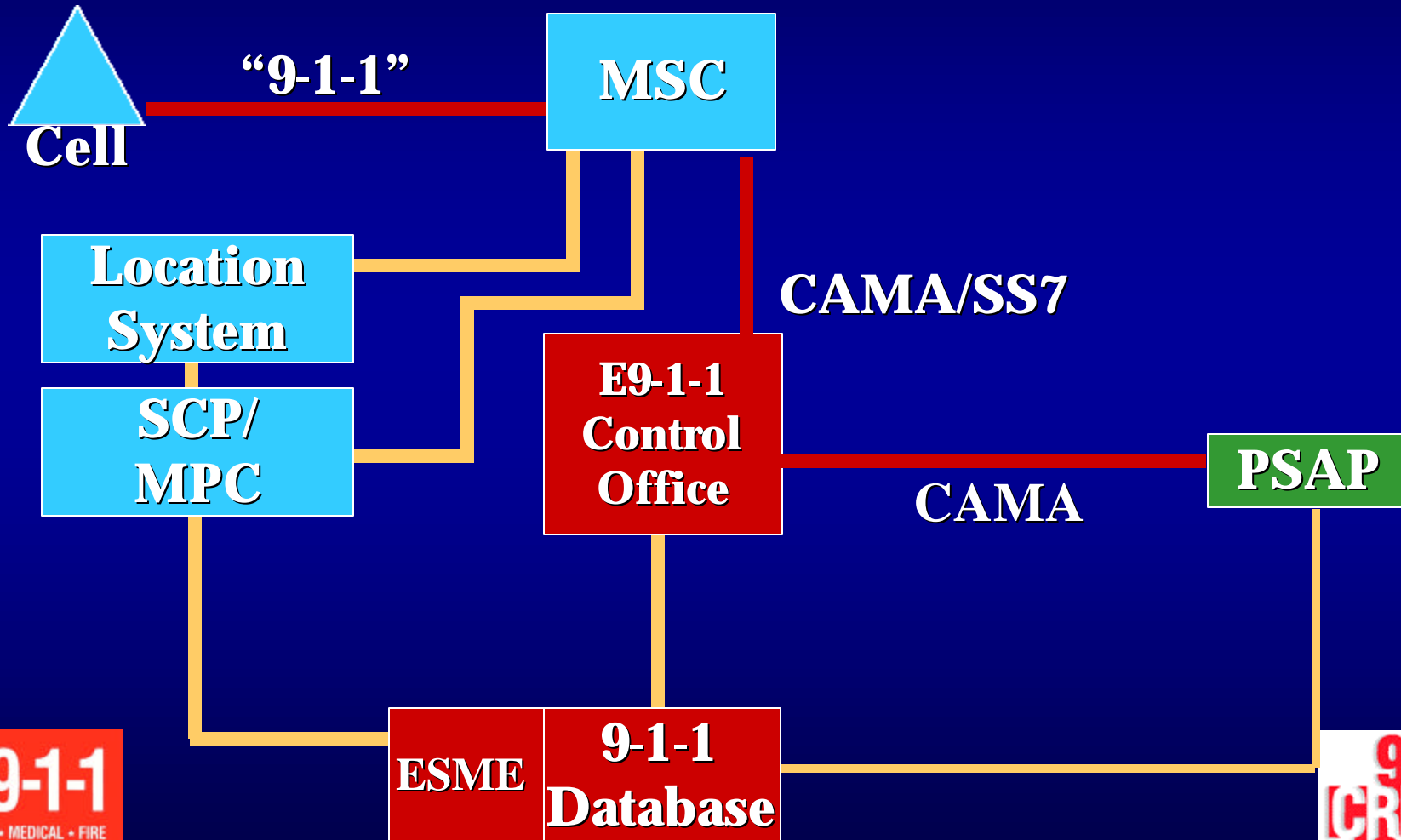
## ESRD, CPN and Location





# Phase II: NCAS

## ESRK, CPN and Location



# Phase II CAS/NCAS Hybrid

