

# **Wireless E9-1-1 Phase I & II**

**January 12, 2001  
Richmond, Virginia**

**Hank Johnson  
HBF Group, Inc.  
Austin, Texas  
[www.hbfgroup.com](http://www.hbfgroup.com)**



# Wireless Data Elements

## □ *Pre-Phase I*

- CAS or NCAS?

- Call (path) Associated Signaling (CAS)

- Voice & Data to PSAP Together
- S/R Switch & Lines & PSAP Equipment May Need Upgrades – Inevitable Anyway – 20 Digits Transported & Received at PSAP
- Required To Handle Geographical Number Portability and More Than 4 Area Codes – This is Occurring Today

# Wireless Data Elements

## □ *Pre-Phase I*

- CAS or NCAS?
- Non Call Associated Signaling (NCAS)
  - Voice & Data to PSAP Separately
  - Existing S/R Switch & Lines & PSAP Equipment May Be Used – Only 8 Digits Transported
  - Will Not Handle Geographical Number Portability and More Than 4 Area Codes
  - Only A Patch or Stop Gap Measure as More Area Codes are Assigned in the Same Geographic Area and Number Portability Expands

# Wireless Data Elements

## □ *Phase I*

- Callback Number of Mobile Device
- Cell Site & Sector Information & Location
- Selective Routing To Proper PSAP Via Cell Site/Sector

# Wireless Data Elements

## □ *Pre-Phase II*

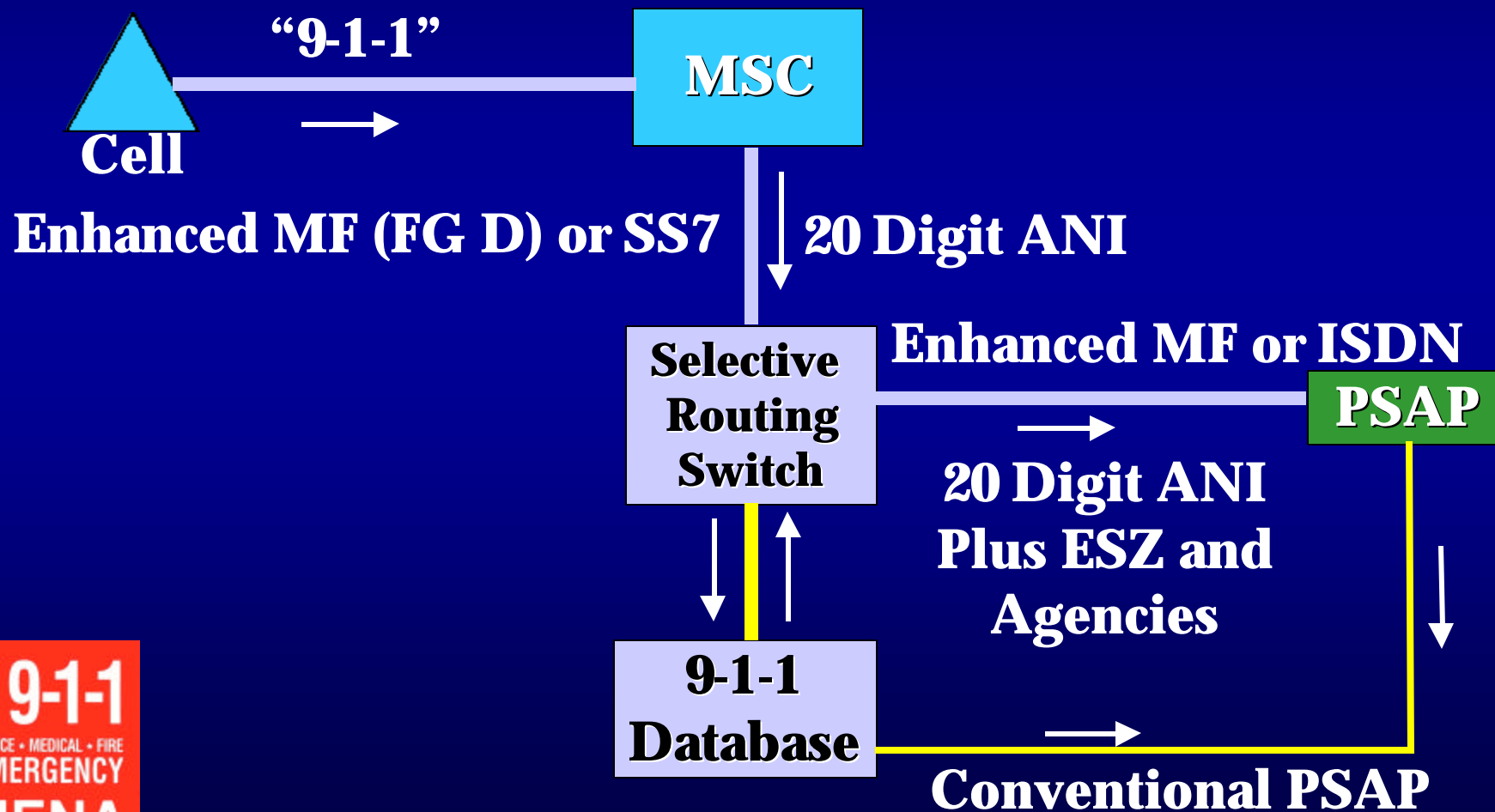
- Accurate, Graphical Geo-Coordinate MSAG
- Accurate, Graphical Geo-Coordinate ESZs With Proper Agencies Assigned
- Accurate Selective Routing Tables

# Wireless Data Elements

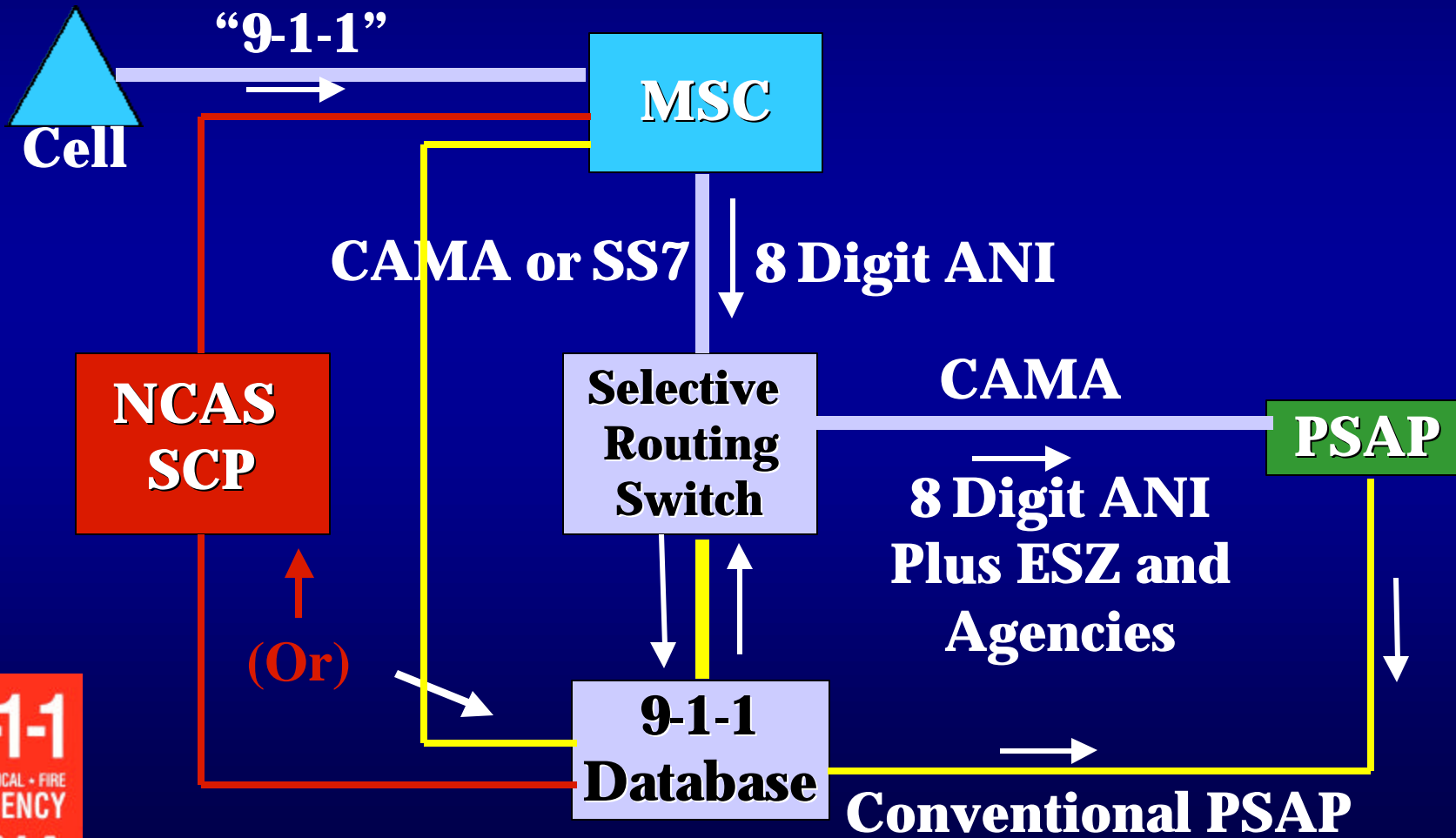
## □ *Phase II*

- Callback Number of Mobile Device
- Cell Site & Sector Information & Location
- X & Y Coordinates, Speed, Direction of Caller
- Selective Routing To Proper PSAP Via X, Y Coordinates

# Phase I - Pseudo ANI & Calling Party Number - Call path Associated Signaling (CAS)



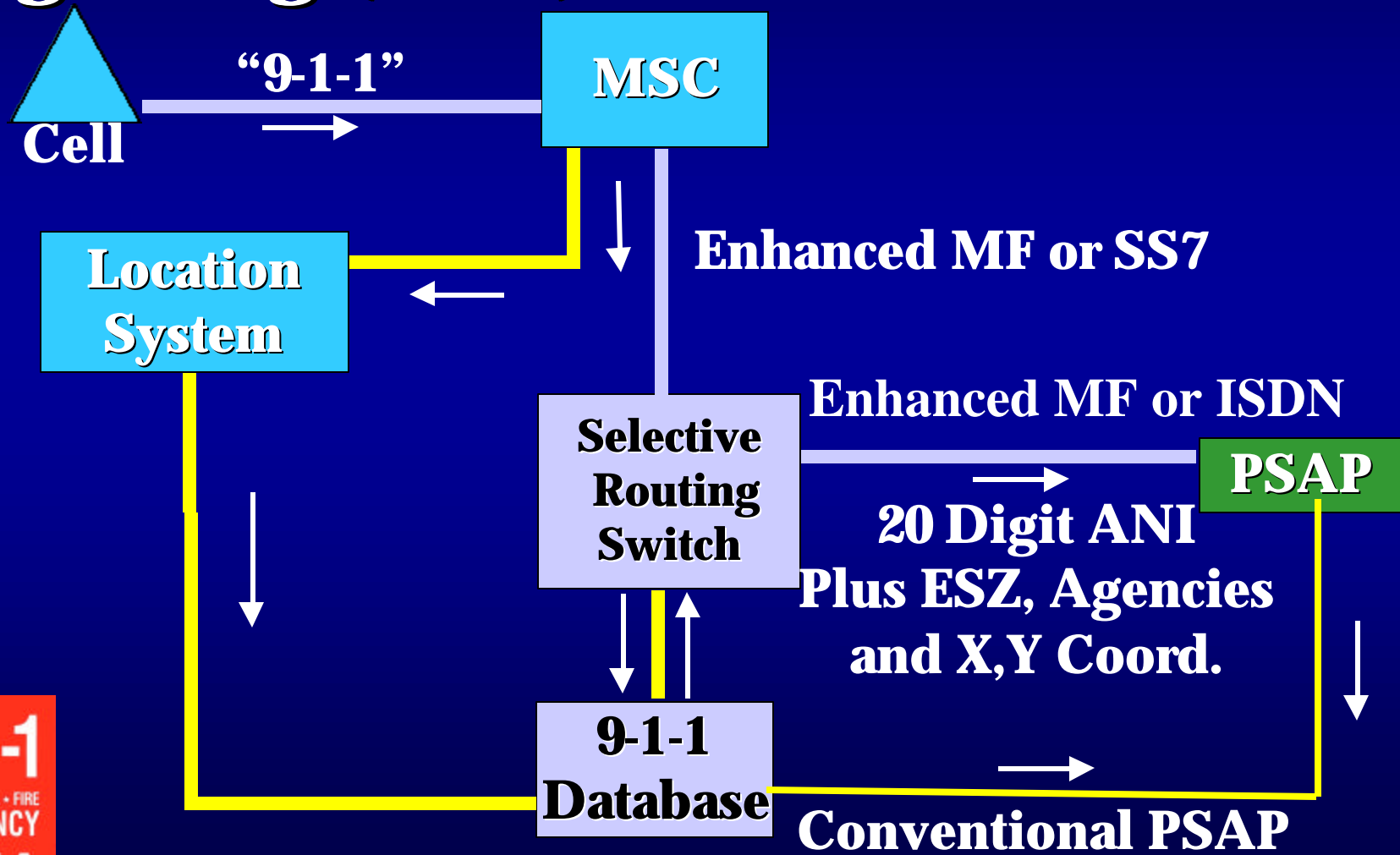
# Phase I - Pseudo ANI & Calling Party Number - Non Call path Associated Signaling (NCAS)



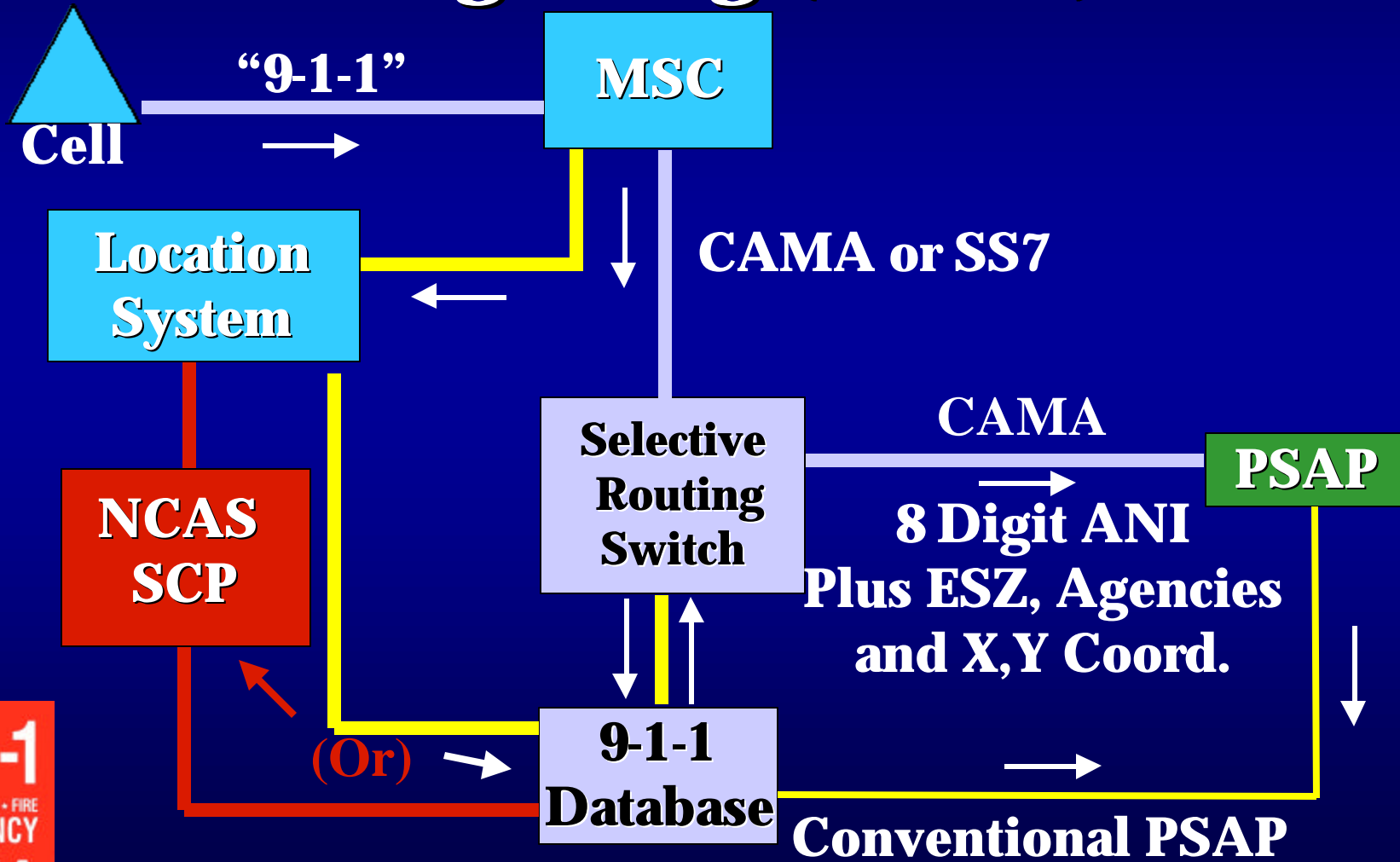
**9-1-1**  
POLICE • MEDICAL • FIRE  
EMERGENCY  
NENA



# Phase II - Pseudo ANI, CPN & Location (X,Y) - Call path Associated Signaling (CAS)



# Phase II - Pseudo ANI, CPN & Location (X,Y) - Non Call path Associated Signaling (NCAS)



**9-1-1**  
POLICE + MEDICAL + FIRE  
EMERGENCY  
NENA

# Wireless Location PSAP Screen

**\*Wireless ANI/ALI\***

**609-342-5678            09:30:25            01-22-99**

**COMCAST CELLULAR COMMUNICATIONS  
COM123                    U S ROUTE 40**

**RADIUS 5 MILES**

**ELMER BORO**

**NJ**

**39-35-51N 75-10-28W**

**DIR 124    SPEED 048**

**CELL**

**ROAM NO. 302-740-7626**

**ESN 5397**

**SALEM COUNTY COMMUNICATIONS**

**ELMER POLICE DEPT**

**609-935-0057**

**ELMER FIRE DEPT ST-21**

**609-358-8881**

**ELMER AMBULANCE**

**609-358-8881**